

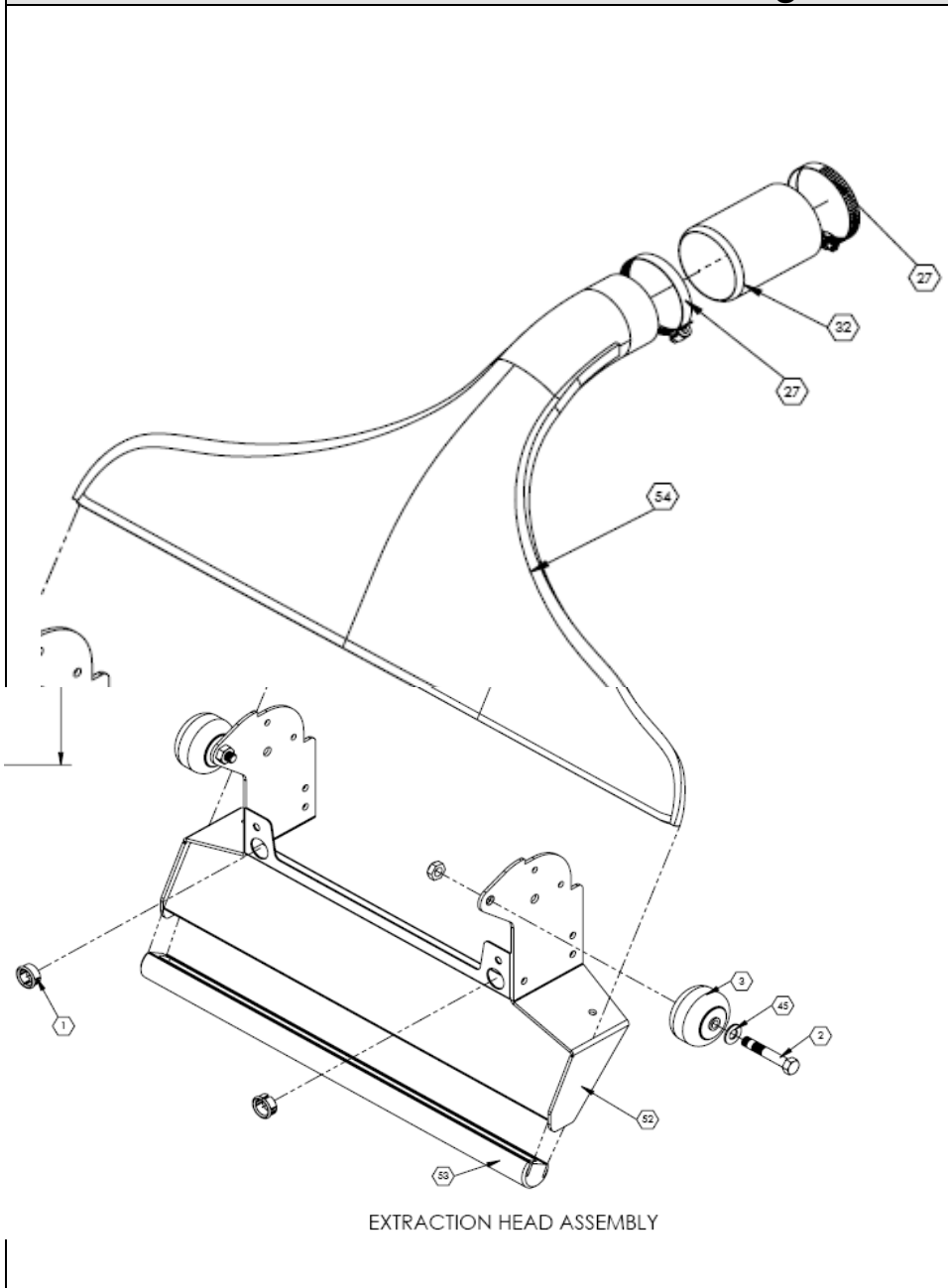
Rover HVE Extractor

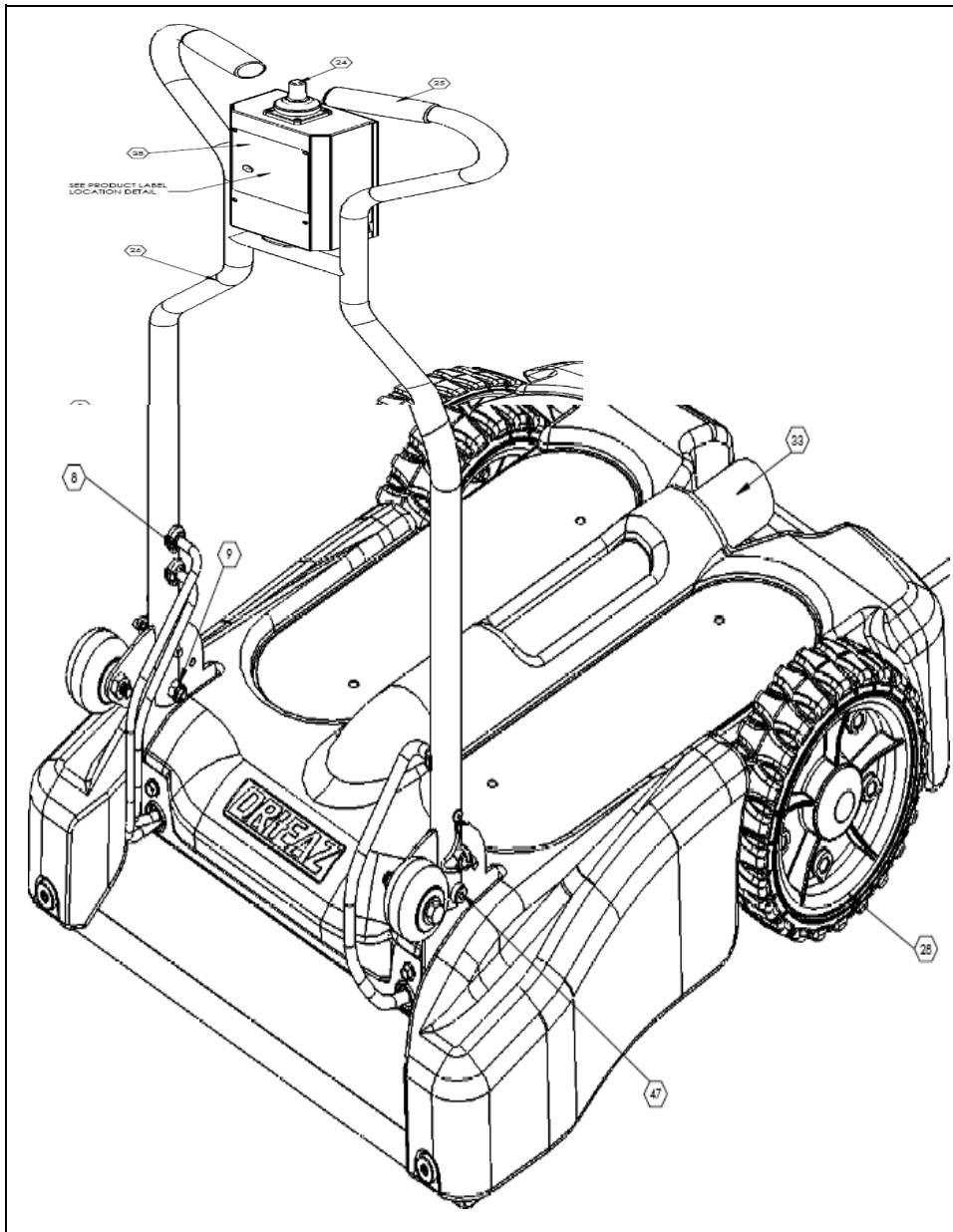
Models: 112125 (F354)

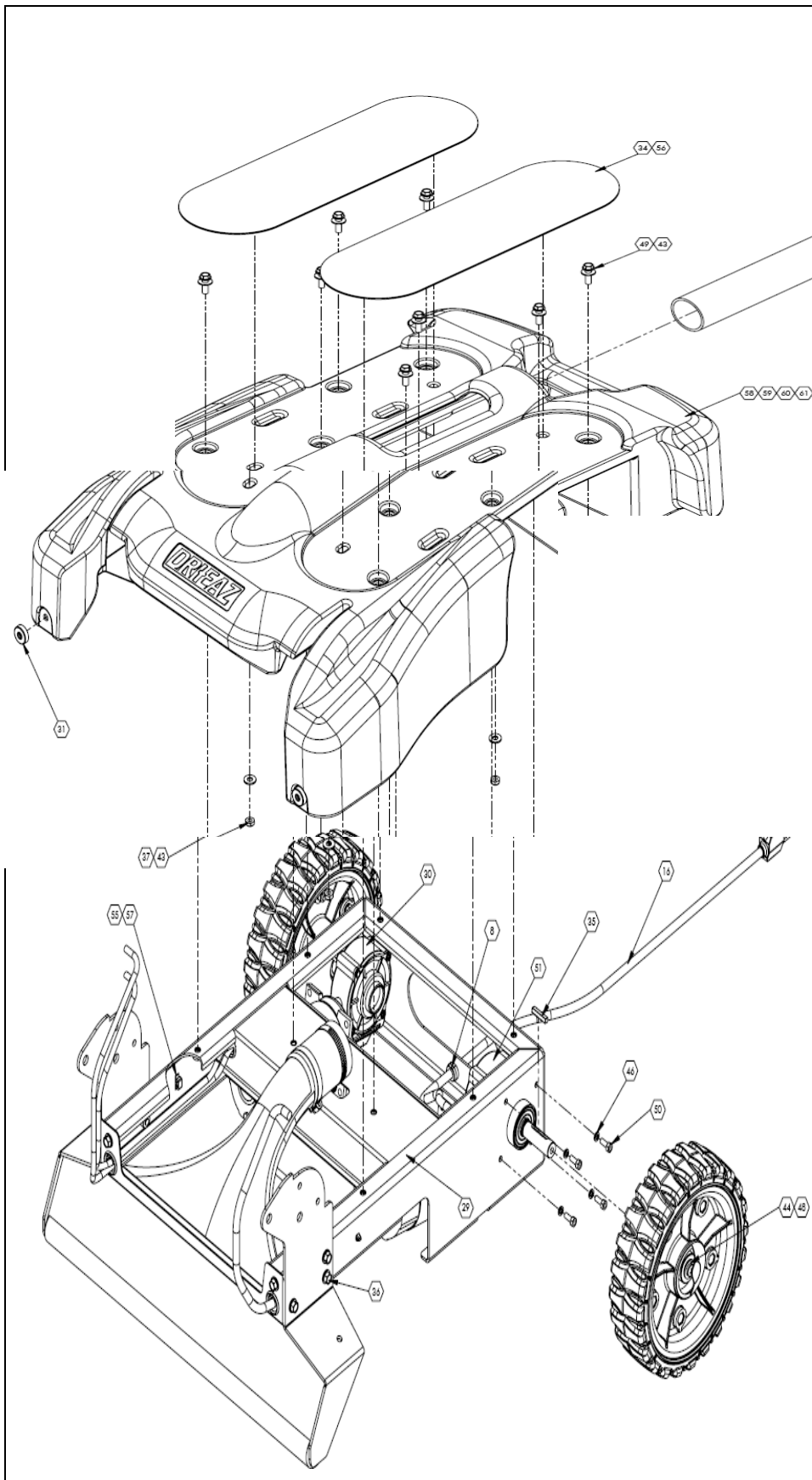
Find #	Part Description	New Part #	Old Part #	Uom
20	SWITCH - ROCKER SPST BLK	113664	02-00012	Each
17	CIRCUIT BREAKER - 5A THERMAL	103591	02-01505	Each
23	HEAD LIGHT ASSEMBLY - LED 6X	117292	02-01506	Each
24	JOY STICK - CONTACTLESS TYPE ROVER HVE	117681	02-01507	Each
8	STRAIN RELIEF - LIQUID TIGHT .312 DIA X .13 BLK	113466	02-01508	Each
6	ROCKER SWITCH ASSY - ROVER HVE	112100	02-01510-01S	Each
43	WASHER - 1/4 RIVET .26 ID X .50 OD X .06 ZP	114783	03-00001	Each
55	CABLE TIE - 4" NYLON	102216	03-00012	Each
37	NUT - 1/4-20 NYLOC THIN ZP	118404	03-00029	Each
	RIVET - 3/16 X 1/2 AL/AL BLK ANOD	114104	03-00030	Each
13	NUT - #10-24 W/STAR WASHER ZP	123051	03-00038	Each
4	BUSHING - .390 ID X .562 X .406 SPLIT NYLON BLK	102175	03-00050	Each
12	NUT - #6-32 NYLOC THIN ZP	109609	03-00051	Each
9	NUT - 5/16-18 NYLOC ZP	111310	03-00098	Each
1	BUSHING - .671 ID X.875 X.41 SPLIT NYLON BLK	103276	03-00126	Each
49	SCREW - 1/4-20 X 1.0 SER HWH ZP	114458	03-00129	Each
27	CLAMP - HOSE 2 DIA WORM DRIVE	102675	03-00138	Each
	SCREW - AXLE 3/8-16 X 2 1/4 W/NUT ZP	112431	03-00167	Each
47	BOLT - SHOULDER 5/16-18 X 3/8 X 1	101445	03-00175	Each
	PIN - QUICK RELEASE 1/4 X 1 SS	110056	03-00176	Each
31	FOOT - ROUND PUSH MOUNT .83 OD X .24 RUBBER BL	117008	03-00202	Each
	SCREW - M6 X 16MM PH ZP	112591	03-00203	Each
	SCREW - 1/4 -20 X 1/2 SER HWH NYLOC ZP	114457	03-00209	Each
57	PUSH MOUNT - NYLON TIE	111584	03-00771	Each
11	SCREW - #4 X 5/8 CH PHIL ZP	112349	03-01511	Each
35	KEYWAY - .187 X .187 X 1.00 STL	108401	03-01533	Each
18	SPACER - .25OD X .05 WALL X .50 ALUM	113228	03-01536	Each
	SCREW - M5 X 14 GR 8.8 HH ZP	119413	03-01539	Each
44	WASHER - 1/4 USS .31 ID X .75 OD X .06 ZP	120137	03-01540	Each
7	SCREW - #8 X 3/8 AB PHP SS	119391	03-01542	Each
45	WASHER - 3/8 SAE .406 ID X .88 OD X .065 SS	115144	03-01543	Each
14	SCREW - #4 X 3/8 PHP ZP	112348	03-01544	Each
	WASHER - 5 MM SPRING LOCK ZP	114774	03-01546	Each
	PACKAGING ASSEMBLY - 115V ROVER HVE	109699	07-01564	Each
32	SLEEVE - 2 X 3 VINYL BLK	119541	13-00076	Each
25	GRIP - HANDLE 1.0 ID BLK	105661	13-00142	Each
3	WHEEL - 2 1/2 X 1 3/8 X 3/8 BORE GRY	115392	13-00156	Each
28	WHEEL ASSY - 8.50 DIA W/ DUST CAP EXTRACTOR	120303	13-01507	Each
21	CONTROLLER - DRIVE AC TO DC EXTRACTOR	103328	13-01509	Each
30	DRIVE MOTOR ASSY - RIGHT 115V 20 RPM 90VDC OUTPUT EXTRAC	116000	13-01517	Each
51	DRIVE MOTOR ASSY - LEFT 115V 20 RPM 90VDC OUTPUT EXTRACT	103993	13-01518	Each
53	GLIDE - TEFLON 1.375 DIA RND ROVER HVE	117190	13-01519	Each
	BASE FRAME ASSY - SS EXTRACTOR	106193	13-01521	Each
26	HANDLE ASSY - ROVER HVE	105516	13-01524	Each
	COVER - ELECTRICAL BOX SS EXTRACTOR	104050	13-01525	Each
52	EXTRACTION HEAD ASSY - SS ROVER HVE	116373	13-01527	Each
54	VACUUM NOZZLE - EXTRACTOR	120062	13-01528	Each
33	TUBE - VACUUM 2.00 OD X .13 WALL X 13.32 PC CLEAR	119883	13-01530	Each
34	FOOT PLATE - SS EXTRACTOR	117009	13-01531	Each

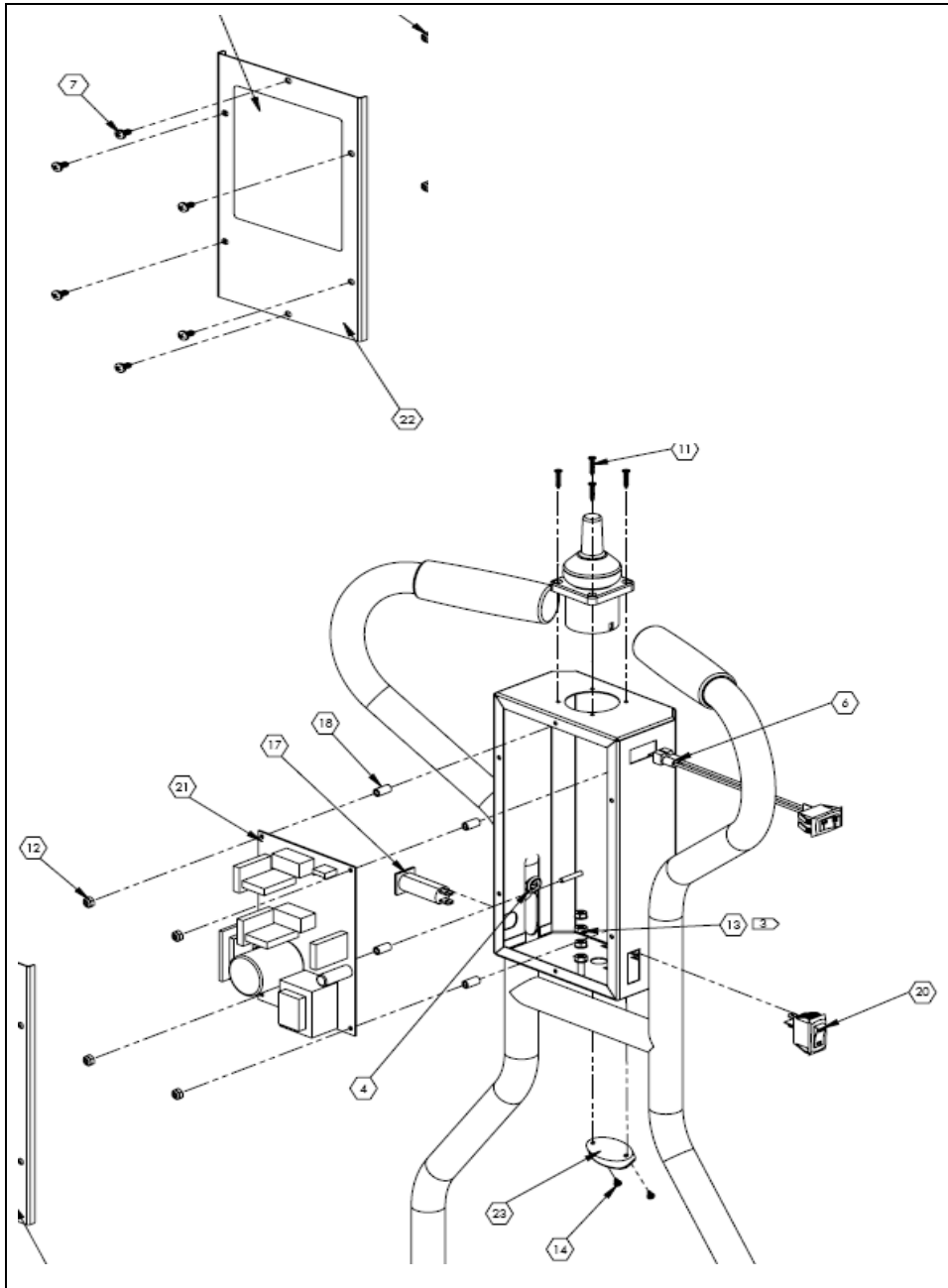
56	GRIP TAPE - 5.10 X 16.40 3100 BLK EXTRACTOR	105352	13-01532	Each
16	POWER CORD ASSY - 16/3 SJTW 5-15P 50FT ROVER HVE	111257	13-01533	Each
61	DECK - POLYETHYLENE FISHER BLU ROVER HVE	103527	13-01545S	Each
59	DECK - POLYETHYLENE TEAL GREEN ROVER HVE	114172	13-01545-01S	Each
58	DECK - POLYETHYLENE BURGANDY RED ROVER HVE	103435	13-01545-04S	Each
	STRAP - VELCRO 2.00 X 15.00 POLYPROPYLENE BLK	113540	13-01547	Each
33	TUBE - VACUUM 2.00 OD X .13 WALL X 13.32 PC CLEAR	119883	13-01530	Each
34	FOOT PLATE - SS EXTRACTOR	117009	13-01531	Each
56	GRIP TAPE - 5.10 X 16.40 3100 BLK EXTRACTOR	105352	13-01532	Each
16	POWER CORD ASSY - 16/3 SJTW 5-15P 50FT ROVER HVE	111257	13-01533	Each
61	DECK - POLYETHYLENE FISHER BLU ROVER HVE	103527	13-01545S	Each
59	DECK - POLYETHYLENE TEAL GREEN ROVER HVE	114172	13-01545-01S	Each
58	DECK - POLYETHYLENE BURGANDY RED ROVER HVE	103435	13-01545-04S	Each
	STRAP - VELCRO 2.00 X 15.00 POLYPROPYLENE BLK	113540	13-01547	Each

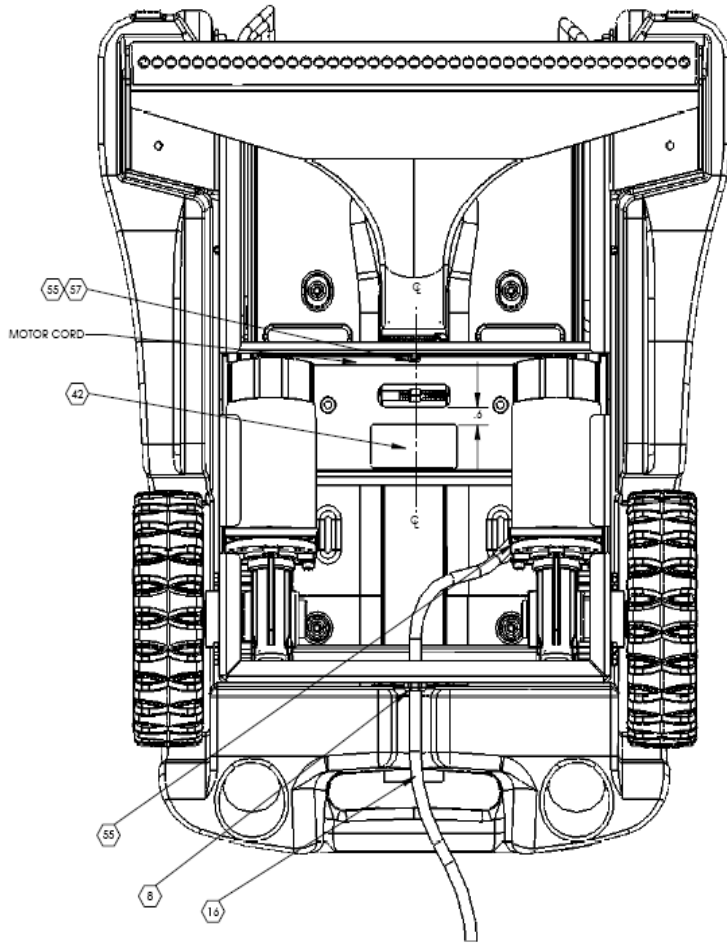
Rover HVE Pictorial Drawings



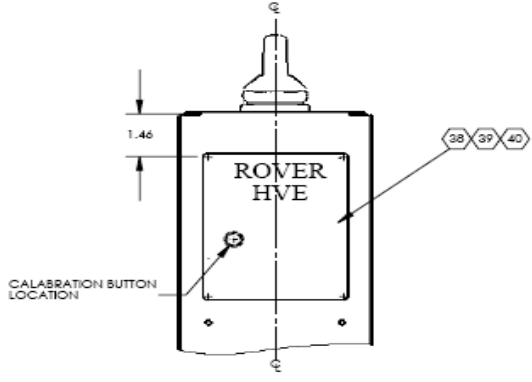




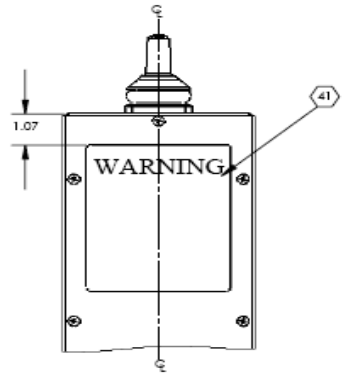




BOTTOM VIEW



PRODUCT LABEL
LOCATION DETAIL



WARNING LABEL
LOCATION DETAIL